

Single Handle Bathroom Faucet Installation Manual



We will ship any damaged or missing parts to you

If you have any problems with your order, send your order ID and product photos to our customer service team. Our team is ready to help.

Email: info@koozzo.com

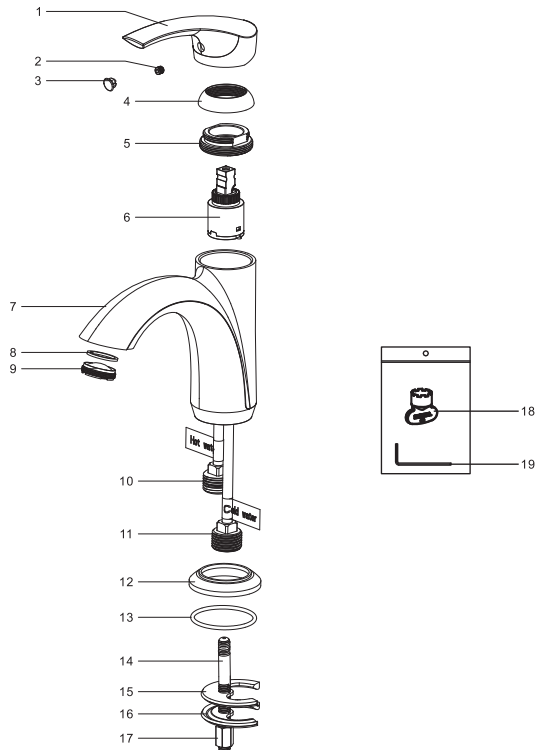


Warranty Registration

To protect your investment, please register your warranty within 60 days of receiving your Koozzo product.

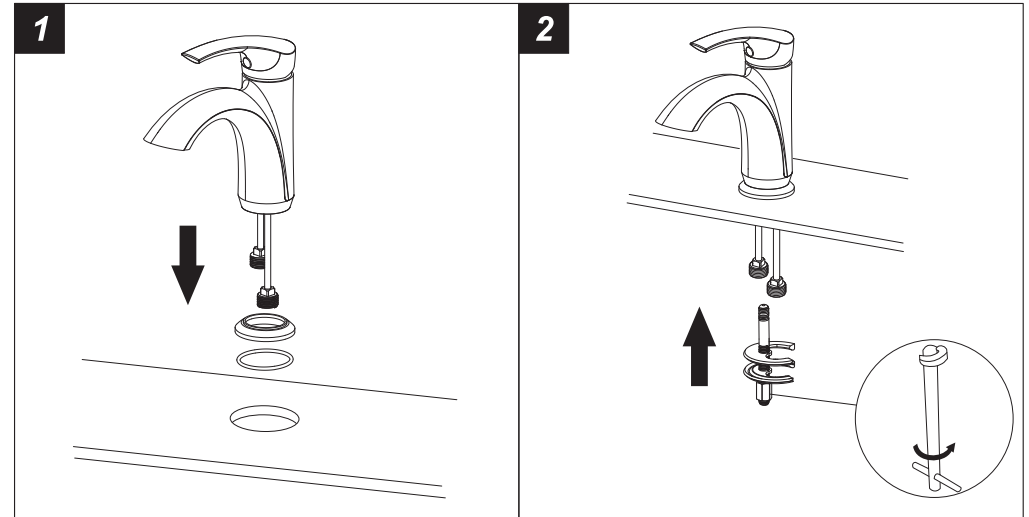
To register your warranty please visit: koozzo.com/pages/warranty-registration

Parts Included

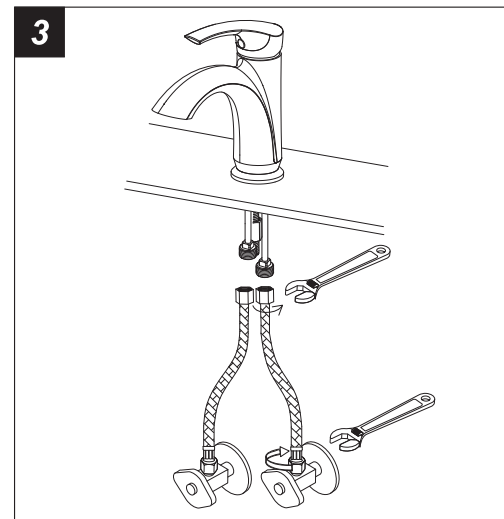


NO.	PART NAME
1	Handle
2	Screw
3	Index
4	Trim cap
5	Cartridge lock nut
6	Cartridge
7	Body
8	Washer
9	Aerator
10	Copper tube
11	Copper tube
12	Base
13	O-ring
14	Screw
15	Rubber washer
16	Clamp
17	Lock nut
18	Aerator wrench
19	Allen key

Faucet Installation

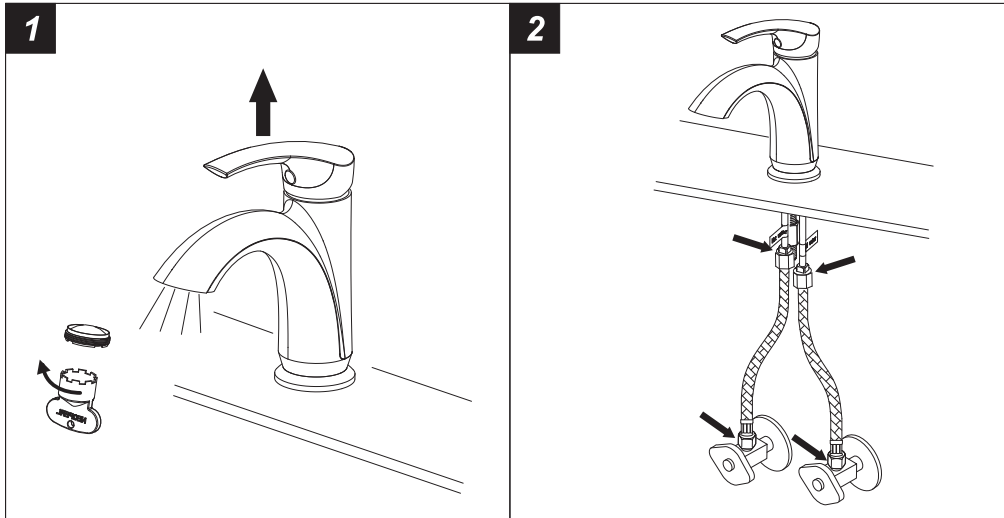


1. Position the faucet, base, and o-ring on the installation surface.
2. Adjust the position of the faucet and secure it with the fixing kit as shown in the photo.



3. Connect the flexible hoses to the water supply valve and copper tubes. Tighten it with the adjustable wrench.
*Do not over tighten!

Checking and Testing



1. Remove the aerator wrench. Turn on the water, leave the water running for 1 minute. Reinstall the aerator with aerator wrench.
2. Check if water is leaking where the black arrows are pointing.

Cleaning and Care

Daily cleaning and care are required to keep the product shining and properly working.

1. Clean the faucet with water and dry it with a soft cloth.
2. Clean the faucet with gentle cleaning fluid.
3. Do not use acid cleaner.
4. Do not clean with abrasive material, paper or knife.